



## Specifications

Electrical Ratings	2A @ 48VDC
Electrical Life	200,000 cycles typical
Contact Resistance	≤ 50mΩ initial
Mechanical Resistance	500,000 cycles typical
Sealing Degree	IP65

Actuation Force	500 ± 100gF
Actuation Travel	1.7 ± .25mm
Dielectric Strength	2000Vrms min between contacts
Insulation Resistance	≥ 100MΩ min @ 250VDC
Operating Temperature	-20°C to 70°C
Storage Temperature	-20°C to 70°C

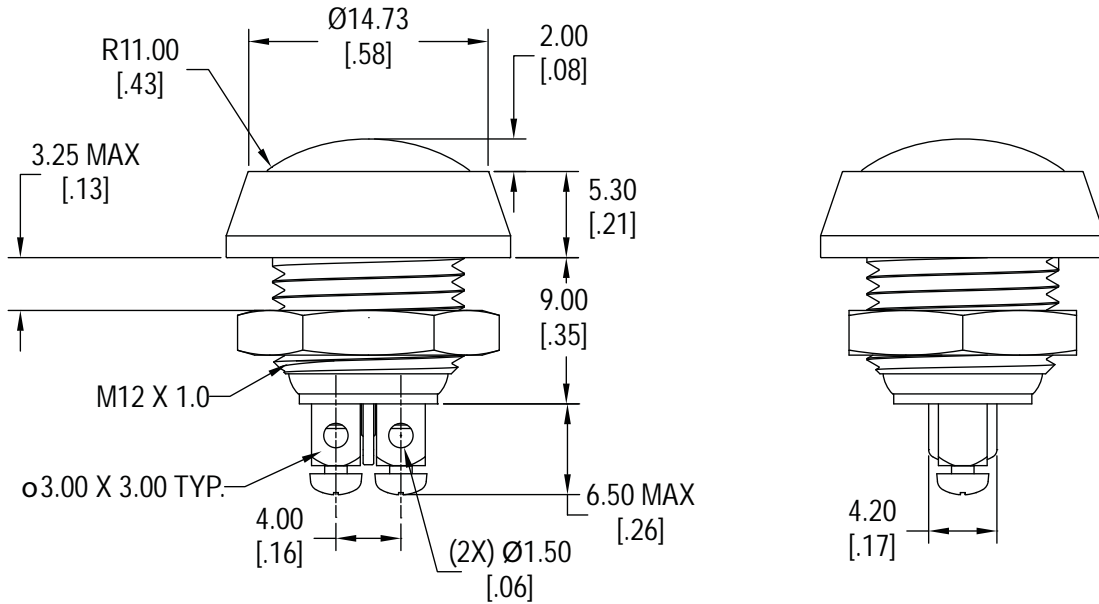
## Materials

Actuator	Polybutylene Terephthalate (PBT) or Stainless Steel
Base	Polybutylene Terephthalate (PBT)
Housing	Aluminum or Stainless Steel
Contacts	Silver Alloy
Terminals	Nickel Plated Brass
Hardware - Nut	Nickel Plated Brass

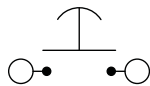
## Ordering Information

1. Series	EH	12	N	M	SS	B
EH						
2. Switch Body Diameter	12 = 12mm					
3. Switch Function	N = Momentary					
4. Actuator Style:	M = Round					
5. Switch Finish	SS = Brushed Stainless Steel B = Black Anodized Aluminum					
6. Cap Color Options	Blank = Stainless Steel 2 = Black 3 = Red 4 = Yellow 5 = Green 7 = Blue					
7. Terminal Options	Z = Screw Terminals B = Solder Lugs					

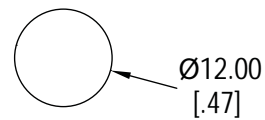
**Dimensions**



**Schematics**



**Panel Cut-Out**



**Terminal Options**

